



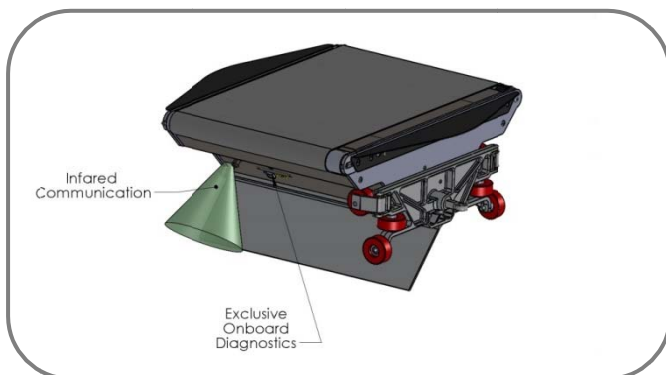
### **X-Belt™:**

Mantissa's X-Belt (Cross Belt) is an independent, electrically controlled divert mechanism used to accurately discharge a wide range of products from the sorter. It is the latest sorting technology in the Scorpion® suite of products and is fully interchangeable with existing Scorpion systems. The X-Belt's adaptable divert algorithms are independent of the sortation speed, thus allowing greater flexibility for our customer's immediate and future requirements.



### **X-Belt™ Strengths**

- Handles Items with high coefficient of friction
- Simple design = Less moving parts to wear
- Extremely energy efficient technology
- Low Product Life Cycle cost
- Vertical "Fin" design superior in strength & function
- Low Voltage 48VDC



For more information on this product contact Mantissa Corporation

**Sortation Simplified™**

616 Pressley Road • Charlotte, NC 28217 • Tel: (704) 525-1749 • Fax: (704) 525-6129  
[www.MantissaCorporation.com](http://www.MantissaCorporation.com)