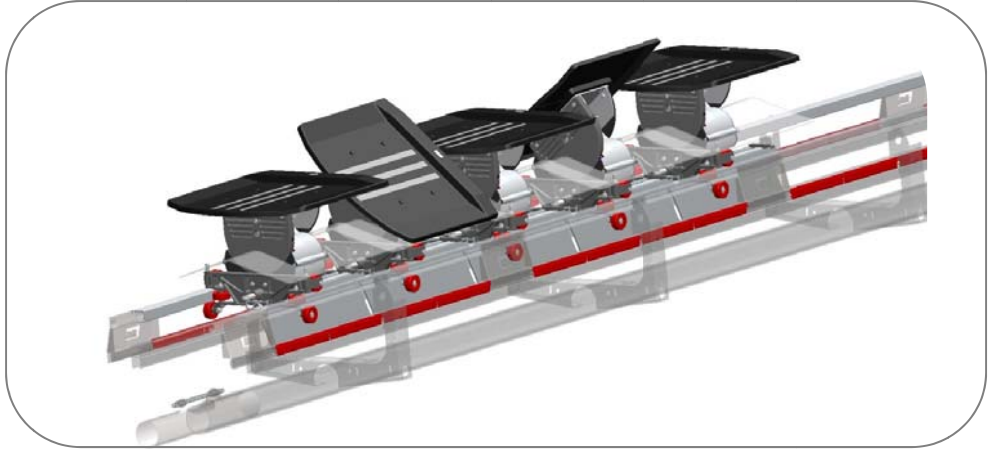


P-Tilt™:

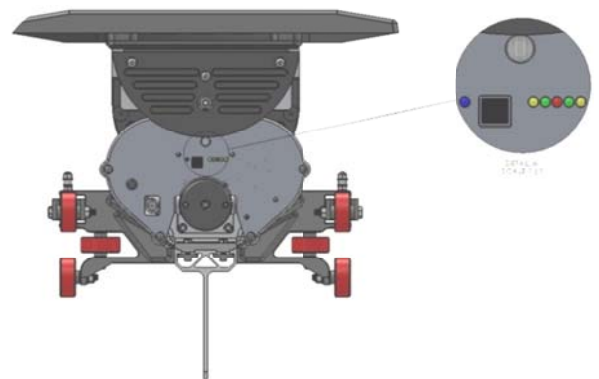
Mantissa's P-Tilt (Powered Tilt) is an independent, electrically controlled divert mechanism used to accurately discharge a wide range of products from the sorter. It is the latest tilting technology in the Scorpion® Tilt-Tray Sorter

suite of products and is fully interchangeable with existing Scorpion systems. The P-Tilt's adaptable tipping algorithms are independent of the sortation speed, thus allowing greater flexibility for our customer's immediate and future requirements.



P-Tilt™ Strengths

- Configurable tipping algorithms that allow for a wider range of products
- Fully interchangeable with Scorpion® suite of products
- **RPD™** (Redundant Position Detection) System. Patent Pending
- Exclusive onboard diagnostics
- Low voltage operation
- Robust design 70 kg (155 lb.) capacity



Sortation Simplified™